

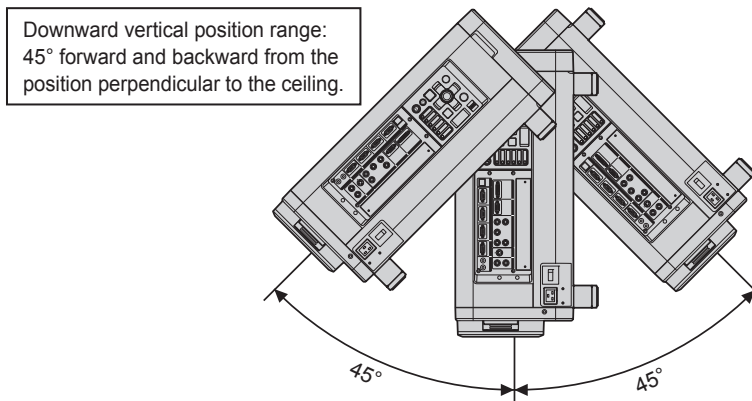
# Additions and Corrections to the Operating Instructions

## ■ Installation in a downward vertical position

When installing the projector in a downward vertical position, please ensure to attach the supplied fittings to all lamp units. Without the fittings, the lamp life may be shortened.

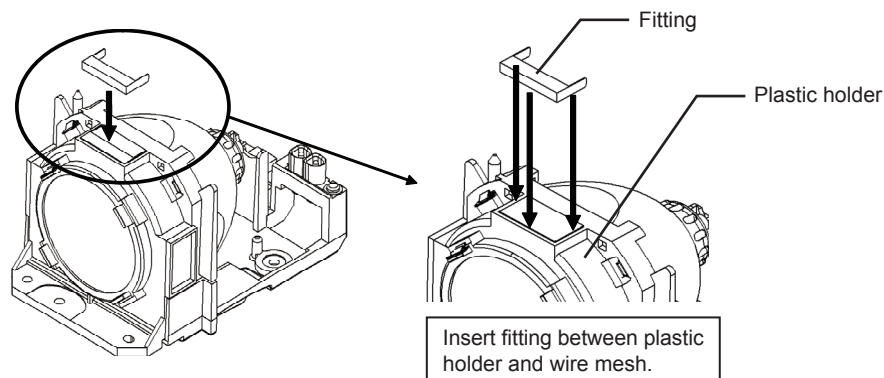
When installing the projector other than in a downward vertical position, remove the fittings.

### 1. Range of the downward vertical position



### 2. How to attach the fitting to the lamp unit

- ① Remove the lamp unit from the projector, following the “Procedure of lamp unit replacement” (Page 115) of the Operating Instructions.
- ② Insert the fitting into the gap between the plastic holder and the wire mesh as shown in the figure below.
  - \* Leave no gap between the fitting and the wire mesh.



- ③ Install the lamp unit into the projector, following the “Procedure of lamp unit replacement” (Page 115) of the Operating Instructions.

## ■ Changes in the table in page 21 of the Operating Instructions

Lens	Keystone correction only		When using arc and keystone correction together				Arc correction only		
	Vertical Keystone Correction Angle $\alpha$ (°)	Horizontal Keystone Correction Angle $\beta$ (°)	Vertical Keystone Correction Angle $\alpha$ (°)	Horizontal Keystone Correction Angle $\beta$ (°)	R2/L2 minimum value	R3/L3 minimum value	R2/L2 minimum value	R3/L3 minimum value	
								D12000	DZ12000
ET-D75LE1	±40	±15	±5	±5	1.6	3.2	0.8	1.6	
ET-D75LE2	±40	±15	±5	±5	1.2	2.4	0.6	1.2	
ET-D75LE3	±40	±15	±10	±10	0.8	1.6	0.4	0.8	
ET-D75LE4	±40	±15	±10	±15	0.6	1.0	0.3	0.5	
ET-D75LE5	±22	±15	±5	±5	3.0	6.0	1.5	3.0	4.3 *
ET-D75LE6	±28	±10	±5	±5	2.4	4.8	1.2	2.4	2.6 *
ET-D75LE8	±40	±15	±10	±15	0.4	0.8	0.2	0.4	

\* For DZ12000, the above value changes apply.