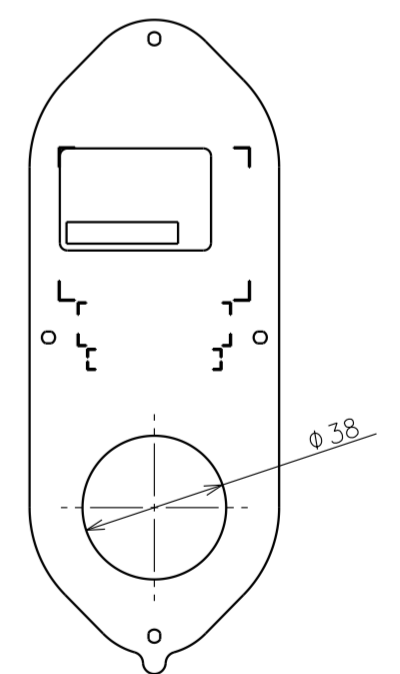
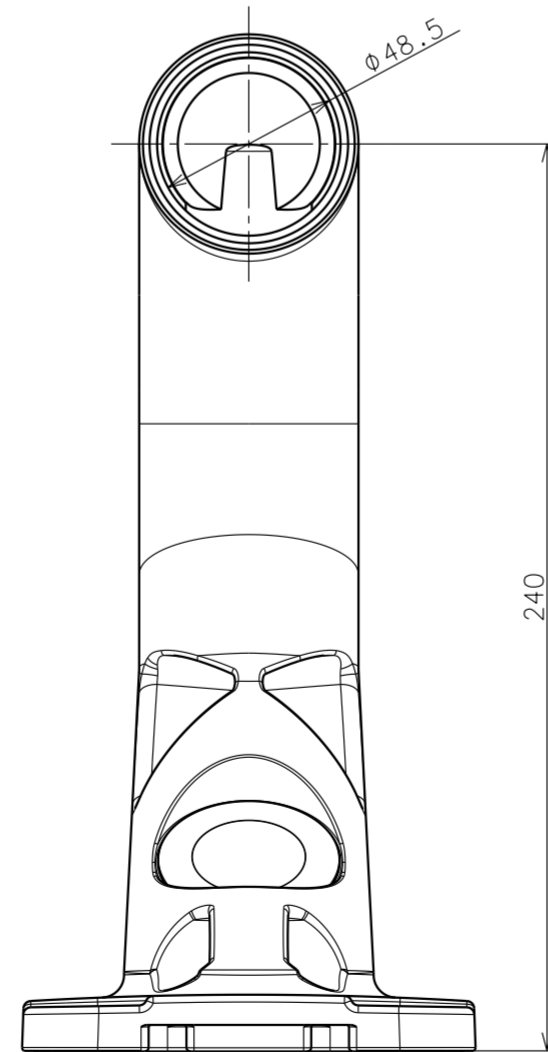


剖视图 A-A (1:2)



No.	Part Name	Material	Process • Remark
1	Wall Mount Bracket	ADC12	Painting(light grey)
2	Cable Cap	Resin	-
3	Plate	SUS 304	Degreasing
4	Main Label	Polyester sheet	Printing
5	Serial No. Label	Polyester sheet	Printing

WV-Q185